

---



---

**Phase 7**

**VEDIC KNOWLEDGE SYSTEMS**

**Phase 7.11**

**Divya Chitta**

**दिव्य चित्त**

**Divine Consciousness**

*Dr. Sant Kumar Kapoor,  
Ved Ratan*

---



---

**Abstract**

Vedic knowledge systems potentialize consciousness (Chitta चित्त) to be of features and values of Divya Chitta दिव्य चित्त Divine Consciousness.

Antakaran (अन्तःकरण) / ultimate supports are of four folds : (i) *Mann* (मन) Mind, (ii) *Budhi* (बुद्धि) Intelligence, (iii) *Chitta* (चित्त) consciousness and (iv) *Ahankaar* (अहंकार) Ego. Of these (i) *Mann* (मन) Mind, (ii) *Budhi* (बुद्धि) Intelligence, and (iii) *Ahankaar* (अहंकार) Ego, together with Panch Mahabhut / five basic elements (Earth, water, fire, air, ether, mind) manifests eight fold *Apra*, Jad जड़ / mundane / lower Prakrati प्रकृति / Nature (Geeta 7.4). It is Pra / परा Chetan (चेतन) / Divine consciousness Nature which sustains Jiva (जीव) (Geeta 7.5).\

---

**1. Formulation *Chitta* (चित्त) consciousness**

TCV (चित्त) = 13 = TCV (सूर्य / Surya/ Sun)

Table 1

Ten folds of *Chitta* (चित्त) are of values

|       |   |   |   |    |    |     |     |     |     |     |
|-------|---|---|---|----|----|-----|-----|-----|-----|-----|
| SN    | 1 | 2 | 3 | 4  | 5  | 6   | 7   | 8   | 9   | 10  |
| Fold  | W | S | L | T  | TT | FF  | F   | H   | R   | SR  |
| Value | 1 | 2 | 5 | 13 | 24 | 113 | 58  | 42  | 115 | 243 |
| Total | 1 | 3 | 8 | 21 | 45 | 158 | 216 | 258 | 373 | 616 |

Table 2  
Cyclic values of formulation Chitta

| SN        |           | च्       | इ        | र्       | र्       | अ        |  | Total value | Grand Total |           |
|-----------|-----------|----------|----------|----------|----------|----------|--|-------------|-------------|-----------|
| 1         | 1         | 2        | 2        | 4        | 4        | 1        |  | 13          | 13          | 13        |
| 2         | 2         | 0        | 2        | 0        | 3        | 1        |  | 6           | 19          | 19        |
| 3         | 3         | 2        | 2        | 3        | 2        | 1        |  | 10          | 29          | 29        |
| <b>4</b>  | <b>4</b>  | <b>0</b> | <b>1</b> | <b>1</b> | <b>1</b> | <b>1</b> |  | <b>4</b>    | <b>33</b>   | <b>33</b> |
| 5         | 1         | 1        | 0        | 0        | 0        | 1        |  | 2           | 2           | 35        |
| 6         | 2         | 1        | 0        | 0        | 1        | 0        |  | 2           | 4           | 37        |
| 7         | 3         | 1        | 0        | 1        | 1        | 1        |  | 4           | 8           | 41        |
| 8         | 4         | 1        | 1        | 0        | 0        | 0        |  | 2           | 10          | 43        |
| 9         | 5         | 0        | 1        | 0        | 0        | 1        |  | 2           | 12          | 45        |
| 10        | 6         | 1        | 1        | 0        | 1        | 1        |  | 4           | 16          | 49        |
| 11        | 7         | 0        | 1        | 1        | 0        | 0        |  | 2           | 18          | 51        |
| 12        | 8         | 1        | 0        | 1        | 0        | 0        |  | 2           | 20          | 53        |
| 13        | 9         | 1        | 1        | 1        | 0        | 1        |  | 4           | 24          | 57        |
| 14        | 10        | 0        | 0        | 1        | 1        | 0        |  | 2           | 26          | 59        |
| 15        | 11        | 0        | 1        | 0        | 1        | 0        |  | 2           | 28          | 61        |
| 16        | 12        | 1        | 1        | 1        | 1        | 0        |  | 4           | 32          | 65        |
| 17        | 13        | 0        | 0        | 0        | 1        | 1        |  | 2           | 34          | 67        |
| 18        | 14        | 0        | 0        | 1        | 0        | 1        |  | 2           | 36          | 69        |
| <b>19</b> | <b>15</b> | <b>0</b> | <b>1</b> | <b>1</b> | <b>1</b> | <b>1</b> |  | <b>4</b>    | <b>40</b>   | <b>73</b> |

Table 3

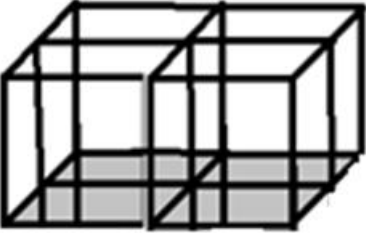
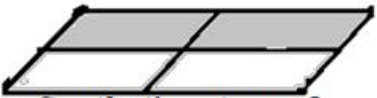
Unit 1 = 13 = TCV (चित्त)

Unit 1 = 1 Range 1, 2, 3, 4, 5, 6, 7, 8, 9, 10, 11, 12, 13

Summation value =  $13 \times 7 = 91$

Unit 13 = 1 Range 13, 26, 39, 52, 65, 78, 91, 104, 117, 130, 143, 156, 169

Summation value =  $(13^2 + 13^3) / 2$

|   |   |  |
|---|---|--|
| <p><b>upper quadruple<br/>sub cubes value <math>13^2</math></b></p>  | <p><b>Value <math>13^2 / 2</math><br/>Separation base plate</b></p>  <p><b>Synthetic set up of<br/>quadruple quarter<br/>sequares</b></p> | <p><math>= (169 + 2197) / 2</math><br/><math>= 2366 / 2</math><br/><math>= 1183</math></p> |
|---|---|--|

## 2. Formulation *Divya* (दिव्य) Divine

$$\text{TCV (दिव्य)} = 17 = \text{TCV (आत्मा / Atma / Soul)}$$

Table 1  
Ten folds of *Divya* (दिव्य) are of values

| SN    | 1 | 2 | 3 | 4  | 5  | 6   | 7   | 8   | 9   | 10  |
|-------|---|---|---|----|----|-----|-----|-----|-----|-----|
| Fold  | W | S | L | T  | TT | FF  | F   | H   | R   | SR  |
| Value | 1 | 2 | 5 | 17 | 24 | 117 | 56  | 58  | 135 | 287 |
| Total | 1 | 3 | 8 | 25 | 49 | 166 | 222 | 280 | 415 | 702 |

Table 2  
Cyclic values of formulation *Divya*

| SN        |           | ॠ        | ॡ        | ॢ        | ॣ        | अ        | Total value | Grand Total |            |
|-----------|-----------|----------|----------|----------|----------|----------|-------------|-------------|------------|
| 1         | 1         | 6        | 2        | 7        | 1        | 1        | 17          | 17          | 17         |
| 2         | 2         | 4        | 5        | 6        | 0        | 5        | 20          | 37          | 37         |
| 3         | 3         | 1        | 1        | 6        | 5        | 1        | 14          | 51          | 51         |
| 4         | 4         | 0        | 5        | 1        | 4        | 0        | 10          | 61          | 61         |
| 5         | 5         | 5        | 4        | 3        | 4        | 0        | 16          | 77          | 77         |
| 6         | 6         | 1        | 1        | 1        | 4        | 5        | 12          | 89          | 89         |
| 7         | 7         | 0        | 0        | 3        | 1        | 4        | 8           | 97          | 97         |
| 8         | 8         | 0        | 3        | 2        | 3        | 4        | 12          | 109         | 109        |
| 9         | 9         | 3        | 1        | 1        | 1        | 4        | 10          | 119         | 119        |
| 10        | 10        | 2        | 0        | 0        | 3        | 1        | 6           | 125         | 125        |
| 11        | 11        | 2        | 0        | 3        | 2        | 1        | 8           | 133         | 133        |
| 12        | 12        | 2        | 3        | 1        | 1        | 1        | 8           | 141         | 141        |
| 13        | 13        | 1        | 2        | 0        | 0        | 1        | 4           | 145         | 145        |
| 14        | 14        | 1        | 2        | 0        | 1        | 0        | 4           | 149         | 149        |
| 15        | 15        | 1        | 2        | 1        | 1        | 1        | 6           | 155         | 155        |
| <b>16</b> | <b>16</b> | <b>1</b> | <b>1</b> | <b>0</b> | <b>0</b> | <b>0</b> | <b>2</b>    | <b>157</b>  | <b>157</b> |
| 17        | 1         | 0        | 1        | 0        | 0        | 1        | 2           | 2           | 159        |
| 18        | 2         | 1        | 1        | 0        | 1        | 1        | 4           | 6           | 163        |
| 19        | 3         | 0        | 1        | 1        | 0        | 0        | 2           | 8           | 165        |
| 20        | 4         | 1        | 0        | 1        | 0        | 0        | 2           | 10          | 167        |
| 21        | 5         | 1        | 1        | 1        | 0        | 1        | 4           | 14          | 171        |
| 22        | 6         | 0        | 0        | 1        | 1        | 0        | 2           | 16          | 173        |
| 23        | 7         | 0        | 1        | 0        | 1        | 0        | 2           | 18          | 175        |
| 24        | 8         | 1        | 1        | 1        | 1        | 0        | 4           | 22          | 179        |

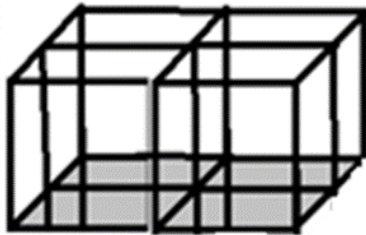
|           |           |          |          |          |          |          |  |          |           |            |
|-----------|-----------|----------|----------|----------|----------|----------|--|----------|-----------|------------|
| 25        | 9         | 0        | 0        | 0        | 1        | 1        |  | 2        | 24        | 181        |
| 26        | 10        | 0        | 0        | 1        | 0        | 1        |  | 2        | 26        | 183        |
| 27        | 11        | 0        | 1        | 1        | 1        | 1        |  | 4        | 30        | 187        |
| 28        | 12        | 1        | 0        | 0        | 0        | 1        |  | 2        | 32        | 189        |
| 29        | 13        | 1        | 0        | 0        | 1        | 0        |  | 2        | 34        | 191        |
| 30        | 14        | 1        | 0        | 1        | 1        | 1        |  | 4        | 38        | 195        |
| <b>31</b> | <b>15</b> | <b>1</b> | <b>1</b> | <b>0</b> | <b>0</b> | <b>0</b> |  | <b>2</b> | <b>40</b> | <b>197</b> |
|           |           |          |          |          |          |          |  |          |           |            |

Table 3

Unit 1 = 17 = TCV (दिव्य)

Unit 1 = 1 Range 1, 2, 3, ..... 17  
 Summation value =  $17 \times 9 = 153$   
 Unit 17 = 1 Range 17, 34, 51, .....  $17^2$   
 Summation value =  $(1^2 + 17^3) / 2$

**upper quadruple  
 sub cubes value  $17^2$**



**Value  $17^2 / 2$**

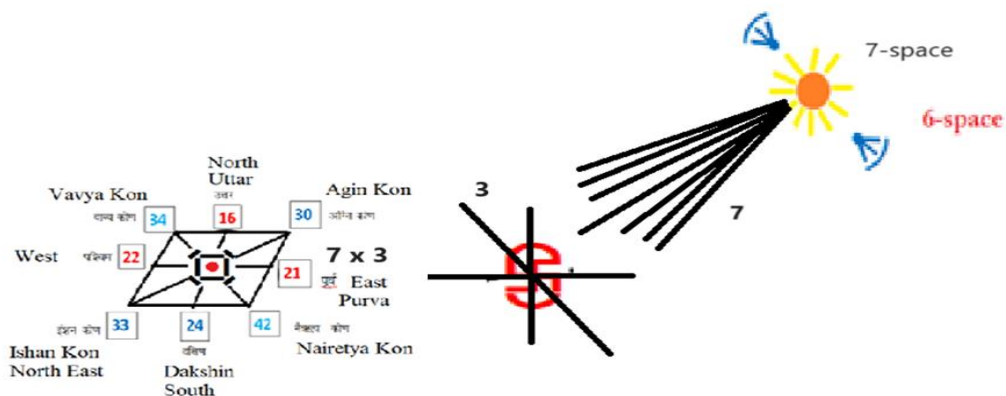
**Separation base plate**



**Synthetic set up of  
 quadruple quarter  
 squares**

$$\begin{aligned}
 &= (289 + 4913) / 2 \\
 &= 5202 / 2 \\
 &= 2601 \\
 &= 26 \times 100 + 1 \\
 &= 26 = H7
 \end{aligned}$$

### 3. Eight Directional frame



$$\text{TCV (अग्निकोण)} = 30 = \text{TCV (दिव्यचित्त)} = \text{H8} = \text{D8} + \text{H2}$$

#### 4. Formulation Braham and Pursha

$$\text{TCV (ब्रह्म)} = 28 = \text{D9}, \text{TCV (पुरुष)} = 24 = \text{D8}$$

D9 and D8 for unit 4 = 1 result into 7 x 4 and 6 x 4, a pair of values (7, 6) of summation value 13.

For Pursha to be unified with Braham, it is to be through four fold stages, formulated as

(i) सालोक्य ,  $\text{TCV (सालोक्य)} = 20$

To be in the same domain

(ii) सामीम्य ,  $\text{TCV (सामीम्य)} = 25$

To be near each other in the same domain

(iii) सारूप्य,  $\text{TCV (सारूप्य)} = 21$

To be of same form in the same domain

(iv) सायूज्य,  $\text{TCV (सायूज्य)} = 15$

To be unified in the same domain

| SN | Stage for to be unified                                    | TCV value                   | Total TCV |
|----|--|-----------------------------|-----------|
| 1  | (i) सालोक्य ,<br>To be in the same domain                  | $\text{TCV (सालोक्य)} = 20$ | 20        |
| 2  | (ii) सामीम्य , To be near each<br>other in the same domain | $\text{TCV (सामीम्य)} = 25$ | 45        |
| 3  | (iii) सारूप्य, To be of same<br>form in the same domain    | $\text{TCV (सारूप्य)} = 21$ | 66        |
| 4  | (iv) सायूज्य, To be unified in<br>the same domain          | $\text{TCV (सायूज्य)} = 15$ | 81        |

Om Tat Sat Iti Nirdesha (Geeta)

ॐ तत्सदिति निर्देशो Geeta 17.23

ॐ तत् सत् इति निर्देशः

$\text{TCV (ॐ)} = 16, \text{TCV (तत्)} = 9, \text{TCV (सत्)} = 8, \text{TCV (इति)} = 8, \text{TCV}$

$(\text{निर्देशः}) = 40.$

$$16 + 9 + 8 + 8 + 40 = 81 = 3^4$$

## 5. Text of Brahmand Puran

Table 1 : Chapters wise shalokas

| SN | Part                         | Chapters | Total |
|----|------------------------------|----------|-------|
| 1  | Section I Parkriya Pada      | (1-5)    | 38    |
|    | Section II<br>Anusanga       | (6-38)   |       |
| 2  | Section III<br>Upodghatapada | 74       | 112   |
| 3  | Section IV<br>Upasamhara     | 1-4      | 116   |
| 4  | Lalita- Mahatmya             | 5-44     | 156   |

Table of 156 chapters and 13549 shalokas

Ch= Chapter, Sh = Shaloka, TCV = TCV

| Ch | Sh  | TCV  |
|----|-----|------|
| 1  | 174 | 174  |
| 2  | 48  | 222  |
| 3  | 38  | 260  |
| 4  | 34  | 294  |
| 5  | 141 | 435  |
| 6  | 77  | 512  |
| 7  | 115 | 627  |
| 8  | 66  | 693  |
| 9  | 82  | 775  |
| 10 | 88  | 863  |
| 11 | 44  | 907  |
| 12 | 53  | 960  |
| 13 | 151 | 1111 |
| 14 | 75  | 1186 |
| 15 | 80  | 1266 |
| 16 | 69  | 1335 |
| 17 | 36  | 1371 |
| 18 | 84  | 1455 |
| 19 | 117 | 1572 |
| 20 | 57  | 1629 |

|    |     |      |
|----|-----|------|
| 21 | 176 | 1805 |
| 22 | 84  | 1889 |
| 23 | 108 | 1997 |
| 24 | 152 | 2149 |
| 25 | 117 | 2266 |
| 26 | 66  | 2332 |
| 27 | 129 | 2461 |
| 28 | 100 | 2561 |
| 29 | 92  | 2653 |
| 30 | 48  | 2701 |
| 31 | 127 | 2828 |
| 32 | 122 | 2950 |
| 33 | 58  | 3008 |
| 34 | 68  | 3076 |
| 35 | 215 | 3291 |
| 36 | 227 | 3518 |
| 37 | 60  | 3578 |
| 38 | 37  | 3615 |
| 39 | 125 | 3740 |
| 40 | 32  | 3772 |
| 41 | 131 | 3903 |

|    |     |      |
|----|-----|------|
| 42 | 37  | 3940 |
| 43 | 106 | 4046 |
| 44 | 39  | 4085 |
| 45 | 479 | 4564 |
| 46 | 102 | 4666 |
| 47 | 76  | 4742 |
| 48 | 120 | 4862 |
| 49 | 116 | 4978 |
| 50 | 46  | 5024 |
| 51 | 142 | 5166 |
| 52 | 117 | 5283 |
| 53 | 68  | 5351 |
| 54 | 59  | 5410 |
| 55 | 22  | 5432 |
| 56 | 15  | 5447 |
| 57 | 74  | 5521 |
| 58 | 23  | 5544 |
| 59 | 81  | 5625 |
| 60 | 81  | 5706 |
| 61 | 81  | 5787 |
| 62 | 88  | 5875 |

|    |     |      |
|----|-----|------|
| 63 | 91  | 5966 |
| 64 | 62  | 6028 |
| 65 | 45  | 6073 |
| 66 | 75  | 6148 |
| 67 | 24  | 6172 |
| 68 | 76  | 6248 |
| 69 | 39  | 6287 |
| 70 | 61  | 6348 |
| 71 | 37  | 6385 |
| 72 | 55  | 6440 |
| 73 | 59  | 6499 |
| 74 | 61  | 6560 |
| 75 | 33  | 6593 |
| 76 | 51  | 6644 |
| 77 | 53  | 6697 |
| 78 | 66  | 6763 |
| 79 | 55  | 6818 |
| 80 | 56  | 6874 |
| 81 | 32  | 6906 |
| 82 | 37  | 6943 |
| 83 | 17  | 6960 |
| 84 | 36  | 6996 |
| 85 | 100 | 7096 |
| 86 | 49  | 7145 |
| 87 | 66  | 7211 |
| 88 | 57  | 7268 |
| 89 | 69  | 7337 |
| 90 | 43  | 7380 |
| 91 | 52  | 7432 |
| 92 | 56  | 7488 |
| 93 | 27  | 7515 |
| 94 | 57  | 7572 |

|     |     |       |
|-----|-----|-------|
| 95  | 75  | 7647  |
| 96  | 37  | 7684  |
| 97  | 76  | 7760  |
| 98  | 28  | 7788  |
| 99  | 53  | 7841  |
| 100 | 44  | 7885  |
| 101 | 216 | 8101  |
| 102 | 24  | 8125  |
| 103 | 50  | 8175  |
| 104 | 90  | 8265  |
| 105 | 105 | 8370  |
| 106 | 107 | 8477  |
| 107 | 57  | 8534  |
| 108 | 49  | 8583  |
| 109 | 265 | 8848  |
| 110 | 195 | 9043  |
| 111 | 156 | 9199  |
| 112 | 278 | 9477  |
| 113 | 243 | 9720  |
| 114 | 316 | 10036 |
| 115 | 113 | 10149 |
| 116 | 73  | 10222 |
| 117 | 39  | 10261 |
| 118 | 73  | 10334 |
| 119 | 79  | 10413 |
| 120 | 61  | 10474 |
| 121 | 82  | 10556 |
| 122 | 90  | 10646 |
| 123 | 38  | 10684 |
| 124 | 75  | 10759 |
| 125 | 35  | 10794 |
| 126 | 29  | 10823 |

|     |     |       |
|-----|-----|-------|
| 127 | 59  | 10882 |
| 128 | 36  | 10918 |
| 129 | 51  | 10969 |
| 130 | 19  | 10988 |
| 131 | 95  | 11083 |
| 132 | 106 | 11189 |
| 133 | 101 | 11290 |
| 134 | 108 | 11398 |
| 135 | 99  | 11497 |
| 136 | 103 | 11600 |
| 137 | 109 | 11709 |
| 138 | 117 | 11826 |
| 139 | 104 | 11930 |
| 140 | 114 | 12044 |
| 141 | 148 | 12192 |
| 142 | 107 | 12299 |
| 143 | 106 | 12405 |
| 144 | 67  | 12472 |
| 145 | 96  | 12568 |
| 146 | 94  | 12662 |
| 147 | 105 | 12767 |
| 148 | 96  | 12863 |
| 149 | 102 | 12965 |
| 150 | 83  | 13048 |
| 151 | 120 | 13168 |
| 152 | 140 | 13308 |
| 153 | 83  | 13391 |
| 154 | 19  | 13410 |
| 155 | 88  | 13498 |
| 156 | 51  | 13549 |

Table 2 : Table of sequential order of distinct 97 Shalokas values

|   |    |
|---|----|
| 1 | 15 |
| 2 | 17 |
| 3 | 19 |
| 4 | 22 |
| 5 | 23 |

|    |    |
|----|----|
| 6  | 24 |
| 7  | 27 |
| 8  | 28 |
| 9  | 29 |
| 10 | 32 |

|    |    |
|----|----|
| 11 | 33 |
| 12 | 34 |
| 13 | 35 |
| 14 | 36 |
| 15 | 37 |

|    |    |
|----|----|
| 16 | 38 |
| 17 | 39 |
| 18 | 43 |
| 19 | 44 |
| 20 | 45 |
| 21 | 46 |
| 22 | 48 |
| 23 | 49 |
| 24 | 50 |
| 25 | 51 |
| 26 | 52 |
| 27 | 53 |
| 28 | 55 |
| 29 | 56 |
| 30 | 57 |
| 31 | 58 |
| 32 | 59 |
| 33 | 60 |
| 34 | 61 |
| 35 | 62 |
| 36 | 66 |
| 37 | 67 |
| 38 | 68 |
| 39 | 69 |
| 40 | 73 |
| 41 | 74 |
| 42 | 75 |
| 43 | 76 |

|    |     |
|----|-----|
| 44 | 77  |
| 45 | 79  |
| 46 | 80  |
| 47 | 81  |
| 48 | 82  |
| 49 | 83  |
| 50 | 84  |
| 51 | 88  |
| 52 | 90  |
| 53 | 91  |
| 54 | 92  |
| 55 | 94  |
| 56 | 95  |
| 57 | 96  |
| 58 | 99  |
| 59 | 100 |
| 60 | 101 |
| 61 | 102 |
| 62 | 103 |
| 63 | 104 |
| 64 | 105 |
| 65 | 106 |
| 66 | 107 |
| 67 | 108 |
| 68 | 109 |
| 69 | 113 |
| 70 | 114 |
| 71 | 115 |

|    |     |
|----|-----|
| 72 | 116 |
| 73 | 117 |
| 74 | 120 |
| 75 | 122 |
| 76 | 125 |
| 77 | 127 |
| 78 | 129 |
| 79 | 131 |
| 80 | 140 |
| 81 | 141 |
| 82 | 142 |
| 83 | 148 |
| 84 | 151 |
| 85 | 152 |
| 86 | 156 |
| 87 | 174 |
| 88 | 176 |
| 89 | 195 |
| 90 | 215 |
| 91 | 216 |
| 92 | 227 |
| 93 | 243 |
| 94 | 265 |
| 95 | 278 |
| 96 | 316 |
| 97 | 479 |

Table : Sathapatya of sequential order of distinct 97 Shalokas values

|   |    |       |
|---|----|-------|
| 1 | 15 | h4    |
| 2 | 17 | h4 ½  |
| 3 | 19 | h5    |
| 4 | 22 | H6    |
| 5 | 23 | h6    |
| 6 | 24 | D8    |
| 7 | 27 | h7    |
| 8 | 28 | D9    |
| 9 | 29 | h 7 ½ |

|    |    |         |
|----|----|---------|
| 10 | 32 | D10     |
| 11 | 33 | h 8 ½   |
| 12 | 34 | H9      |
| 13 | 35 | h9      |
| 14 | 36 | D11     |
| 15 | 37 | H5 + h5 |
| 16 | 38 | H10     |
| 17 | 39 | h10     |
| 18 | 43 | h11     |

|    |    |                    |
|----|----|--------------------|
| 19 | 44 | D13                |
| 20 | 45 | h11 ½              |
| 21 | 46 | H12                |
| 22 | 48 | D14                |
| 23 | 49 | 7 <sup>2</sup>     |
| 24 | 50 | 2 x 5 <sup>2</sup> |
| 25 | 51 | 3 x 17             |
| 26 | 52 | 4 x 13             |
| 27 | 53 | 26 + 27            |



|    |     |                                       |
|----|-----|---------------------------------------|
| 28 | 55  | $27 + 28$                             |
| 29 | 56  | $28 + 28$                             |
| 30 | 57  | $28 + 29$                             |
| 31 | 58  | $29 + 29$                             |
| 32 | 59  | $29 + 30$                             |
| 33 | 60  | $30 + 30$                             |
| 34 | 61  | $30 + 31$                             |
| 35 | 62  | $64 - 2$<br>$4 \times 16 - 2$         |
| 36 | 66  | $68 - 2$<br>$4 \times 17 - 2$         |
| 37 | 67  | $68 - 1$<br>$4 \times 17 - 1$         |
| 38 | 68  | $4 \times 17$                         |
| 39 | 69  | $3 \times 23$                         |
| 40 | 73  | $36 + 37$                             |
| 41 | 74  | $37 + 37$                             |
| 42 | 75  | $37 + 38$                             |
| 43 | 76  | $38 + 38$                             |
| 44 | 77  | $38 + 39$                             |
| 45 | 79  | $39 + 40$                             |
| 46 | 80  | $40 + 40$                             |
| 47 | 81  | $40 + 41$                             |
| 48 | 82  | $41 + 41$                             |
| 49 | 83  | $41 + 42$                             |
| 50 | 84  | $42 + 42$                             |
| 51 | 88  | $44 + 44$                             |
| 52 | 90  | $45 + 45$                             |
| 53 | 91  | $45 + 46$                             |
| 54 | 92  | $4 \times 23$                         |
| 55 | 94  | $96 - 2$<br>$4 \times 24 =$<br>D26- 2 |
| 56 | 95  | $96 - 1$<br>$4 \times 24 - 1$         |
| 57 | 96  | $4 \times 24$                         |
| 58 | 99  | $100 - 1$<br>$4 \times 25 - 1$        |
| 59 | 100 | $4 \times 25$                         |

|    |     |                                     |
|----|-----|-------------------------------------|
| 60 | 101 | $104 - 3$<br>$4 \times 26 - 3$      |
| 61 | 102 | $104 - 2$<br>$4 \times 26 - 2$      |
| 62 | 103 | $104 - 1$<br>$4 \times 26 - 1$      |
| 63 | 104 | $4 \times 26 =$<br>D28              |
| 64 | 105 | $108 - 3$<br>$4 \times 27 - 3$      |
| 65 | 106 | $108 - 2$<br>$4 \times 27 - 2$      |
| 66 | 107 | $108 - 1$<br>$4 \times 27 - 1$      |
| 67 | 108 | $4 \times 27 =$<br>D29              |
| 68 | 109 | $112 - 3$<br>$4 \times 28 - 3$      |
| 69 | 113 | $116 - 3$<br>$4 \times 29 - 3$      |
| 70 | 114 | $116 - 2$<br>$4 \times 29 - 2$      |
| 71 | 115 | $116 - 1$<br>$4 \times 29 - 1$      |
| 72 | 116 | $4 \times 29 =$<br>D31              |
| 73 | 117 | $120 - 3$<br>$4 \times 30 - 3$      |
| 74 | 120 | $4 \times 30 =$<br>D32              |
| 75 | 122 | $124 - 2$<br>$4 \times 31 - 2$      |
| 76 | 125 | $128 - 3$<br>$4 \times 32 - 3$      |
| 77 | 127 | $128 - 1$<br>$= 4 \times 32 -$<br>1 |
| 78 | 129 | $132 - 3$<br>$4 \times 33 - 3$      |

|    |     |  |
|----|-----|--|
| 79 | 131 | $132 - 1$<br>$4 \times 33 - 1$         |
| 80 | 140 | $4 \times 35 =$<br>D37                 |
| 81 | 141 | $144 - 3$<br>$4 \times 36 - 3$         |
| 82 | 142 | $144 - 2$<br>$4 \times 36 - 2$         |
| 83 | 148 | $4 \times 37 =$<br>D39                 |
| 84 | 151 | $152 - 1$<br>$38 \times 4 - 1$         |
| 85 | 152 | $4 \times 38 =$<br>D40                 |
| 86 | 156 | $4 \times 39 =$<br>D41                 |
| 87 | 174 | $176 - 2$<br>$4 \times 44 - 2$         |
| 88 | 176 | $4 \times 44$                          |
| 89 | 195 | $196 - 1$                              |
| 90 | 215 | $216 - 1$                              |
| 91 | 216 | $4 \times 54$                          |
| 92 | 227 | $228 - 1$<br>$= 4 \times 57 -$<br>1    |
| 93 | 243 | $244 - 1$<br>$= 4 \times 61 -$<br>1    |
| 94 | 265 | $268 - 3$<br>$= 4 \times 47 -$<br>3    |
| 95 | 278 | $280 - 2$<br>$4 \times 70 - 2$         |
| 96 | 316 | $4 \times 79 =$<br>D81                 |
| 97 | 479 | $480 - 1$<br>$= 4 \times 120$<br>$- 1$ |

## 6. Formulations Lalita Devi and Bhandasur

**TCV (ललिता) = 19, parallel with 19 phases of cyclic stages of formulation (चित्त) consciousness. TCV (ललिता योग) = 31, parallel with 31 phases of cyclic stages of formulation (दिव्य).**

TCV (ललिता देवी) = 19 + 23 = 42 / South East Direction = TCV (पुर्नजन्म) /Punarjanam Rebirth) = H11.

TCV (भण्डासुर) Bhandasur = 22 + 11 = 33 = TCV (पुरूषार्थ) Pursharath). TCV (नैर्त्यकोण) / North East direction

Note :- Number value 33 avails pair of digits 3 and 3 of Sathapatya format of 3-space and synthesis value ( $3 \times 3 = 5$ ), 5-space of solid order, while number value 42 avails a pair of digits 4 and 2 of Sathapatya format of 4-space dimension and 2-space dimension of dimension of 6-space.

The strength, potentialities and reach of Bhandasur is of values of 5-space while the strength and reach of goddess Lalita Devi is parallel with Sathapatya of 6-space.

### Conclusion

Braham to Brahmanda are 18 Puranas. Text of Brahmand Puran as has reached us is composed as 156 chapters, organizing 13549 shalokas of all the four Padas of shlokas of 156 chapters. The minimum number of shalokas is 15 and maximum number of shalokas is 479. Number value 14 is parallel with summation value of four folds of hyper cube 4. The number value 21 is parallel with the summation value 1 to 6 as artifices basis base of Sathapatya measuring rod being synthetic set up of hyper cube 1 to 6, the representative regular bodies of 1 to 6 space. Distinct shalokas are 97, parallel with the biggest prime uptill 100. Number value 97 is parallel with synthesis value of pair of unity state (7-space), ranges of value 45 each ( $7 + 8 + 9 + 10 + 11$ ). Value 45 is parallel with TCV (नव ब्रह्म् Nav Braham), as well as being parallel with summation value  $1 + 2 + 3 + 4 + 5 + 6 + 7 + 8 + 9$ . Brahmanda Purana chases uptill set up of 9 Parvas (folds) manifestation of 9-space. TCV (पर्वाह / Parvah) = 17;  $9 \times 17 = 153$ ; 153 as dimension takes uptill 156 as origin fold, the value parallel with 156 chapters. Further the value 156 is of organization  $12 \times 13$ , parallel with transcendental (5-space) boundary of 12 components and 13 versions of hyper cube 6. 6-space as dimension takes uptill 9-space origin. Goddess Lalita Devi (ललिता देवी) as of formation TCV (ललिता देवी) = 39 = TCV (महेश्वर) Maheshwar. Value 39 is of organization  $13 \times 13 + 13$ , and  $(13, 13) = 15$  and this Sathapatya for value 39 goes parallel with  $13 + 15 = 28 =$  TCV (Braham). The knowledge and enlightenment of Brahmanada Purana is the

knowledge and enlightenment of Braham. Brahma Purana is the end reach value of Braham to Brahmanda range of all 18 Puranas.

**TCV (ललिता) = 19, parallel with 19 phases of cyclic stages of formulation (चित्त) consciousness. TCV (ललिता योग) = 31, parallel with 31 phases of cyclic stages of formulation (दिव्य).**

Dr. S. K. Kapoor

November 03, 2024